

Properties

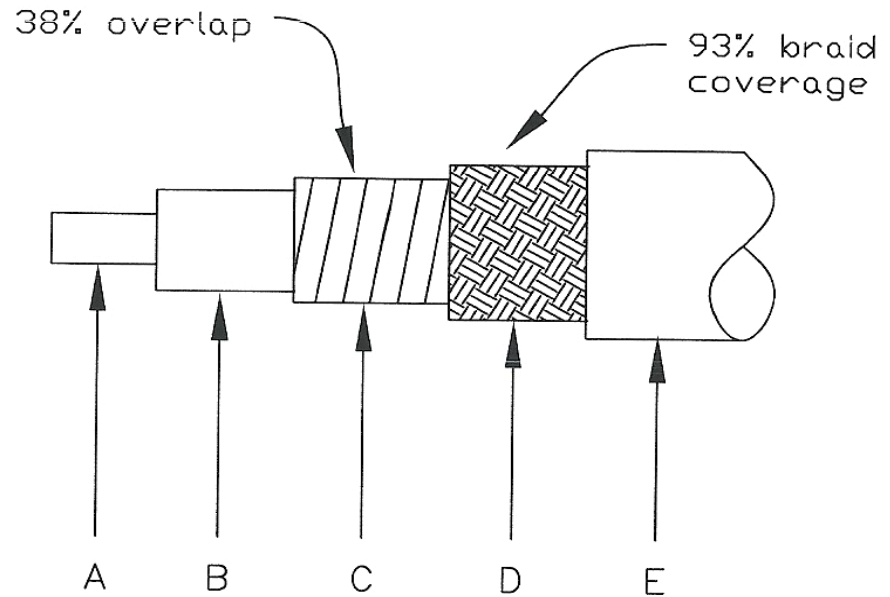
Impedance (ohms)	50
Capacitance (pf/ft)	29
Inductance (nH/ft)	
Shielding effectiveness (dB)	>100
Cut off Frequency (GHz)	34
Max Operating Freq (GHz)	
Velocity of propagation (%)	71
Breakdown Voltage (Kv)	
Min. Bend Radius (in)	0.75
Weight (lbs/ft)	0.03
Operating temperature ©	-65/+200

Attenuation (dB/100ft) GHz

2 GHz	16	24 GHz	73
4 GHz	25	26 GHz	75
6 GHz	31		
8 GHz	37		
10 GHz	43		
12 GHz	49		
14 GHz	51		
16 GHz	56		
18 GHz	60		
20 GHz	64		
22 GHz	68		

Construction

(E) FEP Jacket O.D. (in)	0.160
(D) Outer Braid O.D. (in)	0.140
(C) Inner Foil O.D. (in)	0.125
(B) EPTFE Dielectric O.D. (in)	0.117
(A) Center Conductor O.D. (in)	0.036



Scale:	N/A	ASSEMBLIES INC.
		123 Osigian Blvd.
Cage Code:	0GDT9	Warner Robins, GA 31088
		Title
		1601
		Sheet
Revision:	---	1

"PROPRIETARY INFORMATION" THE INFORMATION WITHIN THIS DRAWING IS PROPRIETARY AND SHALL NOT BE USED OR DISCLOSED WITHOUT WRITTEN PERMISSION FROM ASSEMBLIES, INC.