

Properties

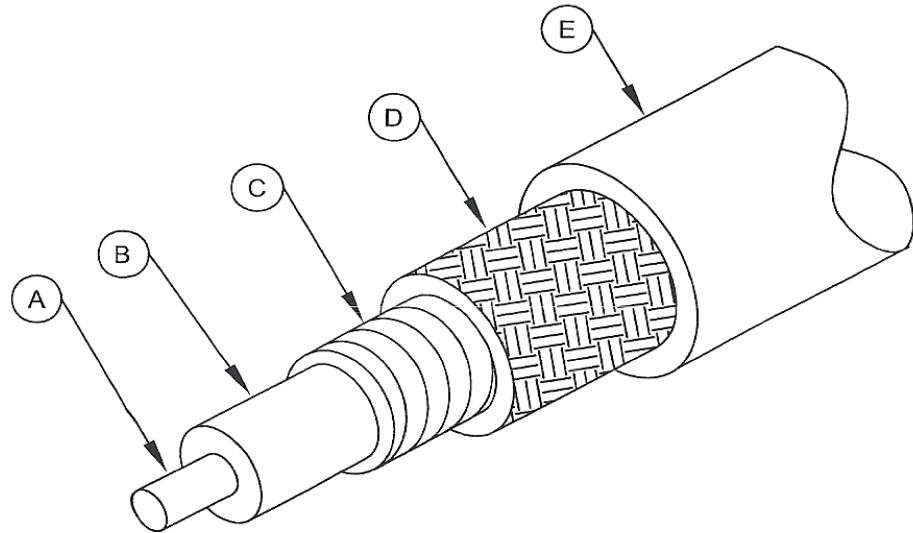
Impedance (ohms)	50
Capacitance (pf/ft)	24
Inductance (nH/ft)	
Shielding effectiveness (dB)	>100
Cut off Frequency (GHz)	32
Max Operating Freq (GHz)	32
Velocity of propagation (%)	84
Breakdown Voltage (Kv)	
Min. Bend Radius (in)	1
Weight (lbs/ft)	0.037
Operating temperature ©	-65/+200

Attenuation (dB/100ft) GHz

2 GHz	11	24 GHz	45
4 GHz	16	26 GHz	47
6 GHz	20	28 GHz	49
8 GHz	24		
10 GHz	27		
12 GHz	30		
14 GHz	32		
16 GHz	35		
18 GHz	38		
20 GHz	40		
22 GHz	42		

Construction

(E) FEP Jacket O.D. (in)	0.190
(D) Outer Braid O.D. (in)	0.168
(C) Inner Foil O.D. (in)	0.147
(B) EPTFE Dielectric O.D. (in)	0.141
(A) Center Conductor O.D. (in)	0.051



Scale:	N/A	ASSEMBLIES INC.
		123 Osigian Blvd.
Cage Code:	0GDT9	Warner Robins, GA 31088
		Title
		1801
		Sheet
Revision:	---	1

"PROPRIETARY INFORMATION" THE INFORMATION WITHIN THIS DRAWING IS PROPRIETARY AND SHALL NOT BE USED OR DISCLOSED WITHOUT WRITTEN PERMISSION FROM ASSEMBLIES, INC.